

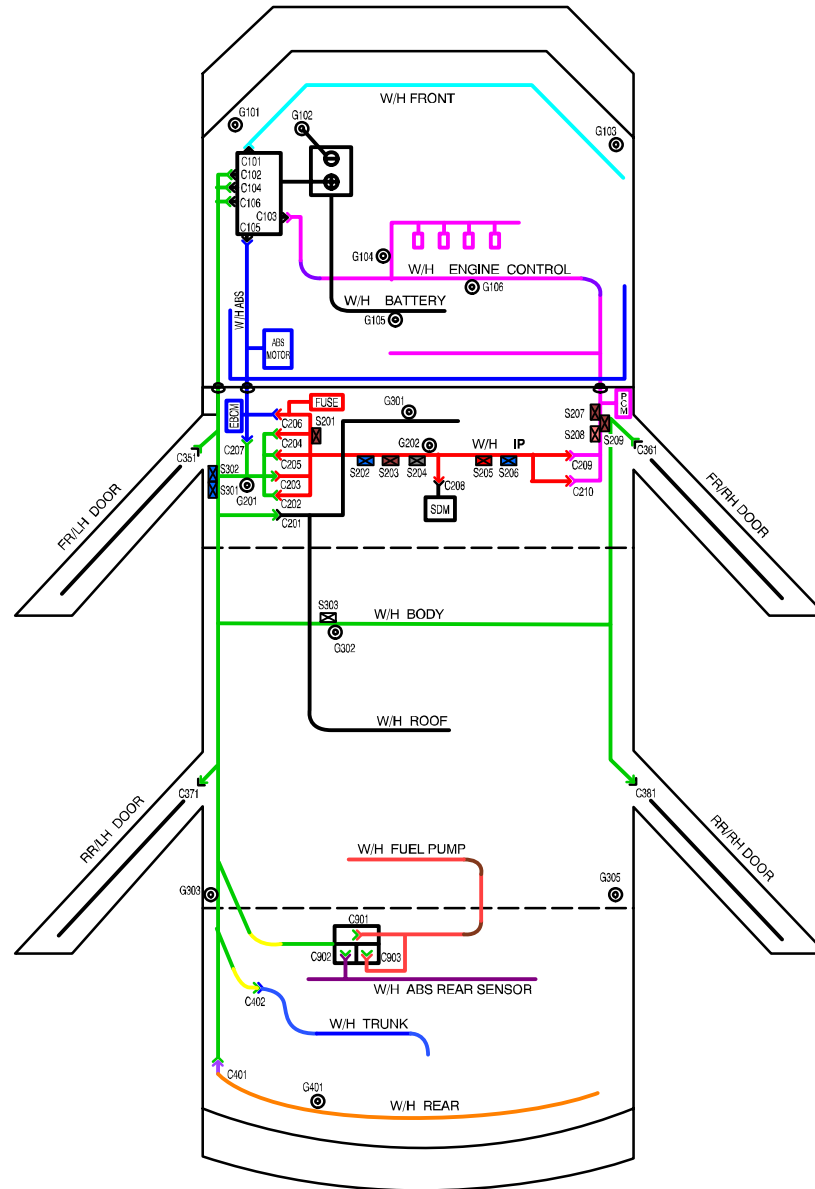
SECTION 2

POSITION OF CONNECTORS AND GROUNDS

2-2 POSITION OF CONNECTORS AND GROUNDS

1. CONNECTOR, GROUND AND SPLICE PACK INFORMATION

1) WIRING HARNESS & GROUND & SPLICE PACK LOCATION



2) CONNECTOR

Connector Number	Terminal Number	Color	Connecting Wiring Harness	Connector Position
C101	68	Gray	Engine Room Fuse Box – Front	Engine Room Fuse Box
C102	68	Brown	Engine Room Fuse Box – Body	Engine Room Fuse Box
C103	68	Black	Engine Room Fuse Box – Engine Control	Engine Room Fuse Box
C104	2	Gray	Engine Room Fuse Box – Body	Engine Room Fuse Box
C105	2	Black	Engine Room Fuse Box – ABS	Engine Room Fuse Box
C106	2	Green	Engine Room Fuse Box – Body	Engine Room Fuse Box
C201	13	White	Body – Roof	Behind Driver Left Kick Panel
C202	12	White	I/P – Body(Remote Control)	Next to Driver Leg Room Connector Holder
C203	15	White	I.P – Body	Left Driver Leg Room Connector Holder
C204	22	Yellow	I.P – Body	Center Driver Leg Room Connector Holder
C205	20	Colorless	I.P – Body	Right Driver Leg Room Connector Holder
C206	11	White	I/P – ABS	Upper Driver Leg Room
C207	4	White	Body – ABS	Upper Driver Leg Room
C208	6	White	I/P – Air Bag	Behind Car Audio
C209	20	Colorless	I/P – Engine Control	Upper Co–driver Right Kick Panel
C210	10	White	I/P – Engine Control	Upper Co–driver Right Kick Panel
C351	29	White	Body – Driver Door	Inside Left A Pillar
C361	29	White	Body – Co–driver Door	Inside Right A Pillar
C371	8	Colorless	Body – Rear Left Door	Inside Left B Pillar
C381	8	Colorless	Body – Rear Right Door	Inside Right B Pillar
C401	8	White	Body – Rear	Upper Trunk Room Left Wheel House
C402	4	White	Body – Trunk/Tailgate(H/B, S/W)	Upper Trunk Room Left
C403	3	White	Body – Tailgate (H/B)	Upper Trunk Room Left
C404	6	White	Body – Tailgate (Station Wagon)	Upper Trunk Room Left
C901	8	Black	Body – Fuel Pump	Under Body Near Trunk
C902	4	Black	Body – ABS Rear Speed Sensor	Under Body Near Trunk
C903	4	Black	Body – Fuel Pump	Under Body Near Trunk

3) GROUND

Ground Number	Wiring Harness	Ground Position
G101	W/H Front	Left Fender in Front of Fuse Box
G102	Battery & ABS	Between Battery and Fuse Box
G103	W/H Front	Engine Room Right Fender (Splice Pack)
G104	Engine Control	Cylinder Head Next to #4 Intake Manifold
G105	Battery	Next to Starter Motor
G106	Engine Control	Engine Block Below #2 Intake Manifold
G201	I/P & Body	Behind Driver Left Kick Panel
G202	I.P	Right Side of I/P
G301	Roof	Next to Room Lamp
G302	Body	Below Driver Seat
G303	Body	Left Rear Seat Back
G305	Body	Passenger Room Right C Pillar
G401	Rear	Trunk Room End Panel
G402	Tailgate	Upper Luggage Left (H/B, S/W)

4) SPLICE PACK

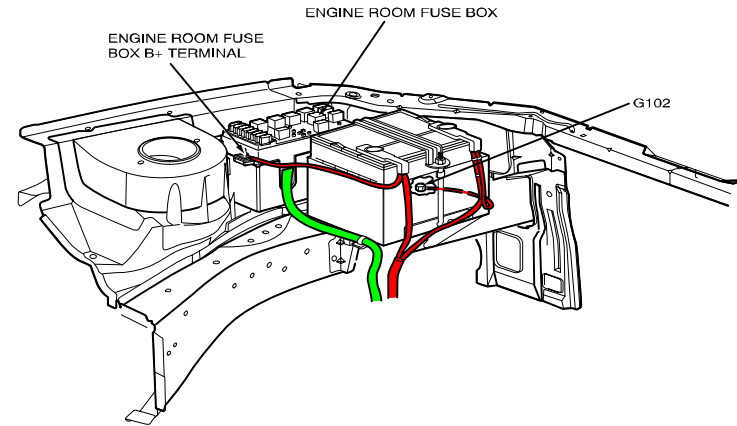
Splice Pack Number	Color	Wiring Harness	Splice Pack Position
S201	Brown	I.P	Upper Driver Leg Room
S202	Blue	I.P	Upper Driver Leg Room
S203	Brown	I.P	Upper Driver Leg Room
S204	Gray	I.P	Upper Driver Leg Room
S205	Red	I.P	Left Behind Glove Box
S206	Blue	I/P	Right Behind Glove Box
S207	Blue	Engine Control	Behind Co–driver Right Kick Panel
S208	White	Engine Control	Behind Co–driver Right Kick Panel
S301	Blue	Body	Behind Driver Left Kick Panel
S302	Blue	Body	Behind Driver Left Kick Panel
S303	Black	Body	Below Driver Seat

2-4 POSITION OF CONNECTORS AND GROUNDS

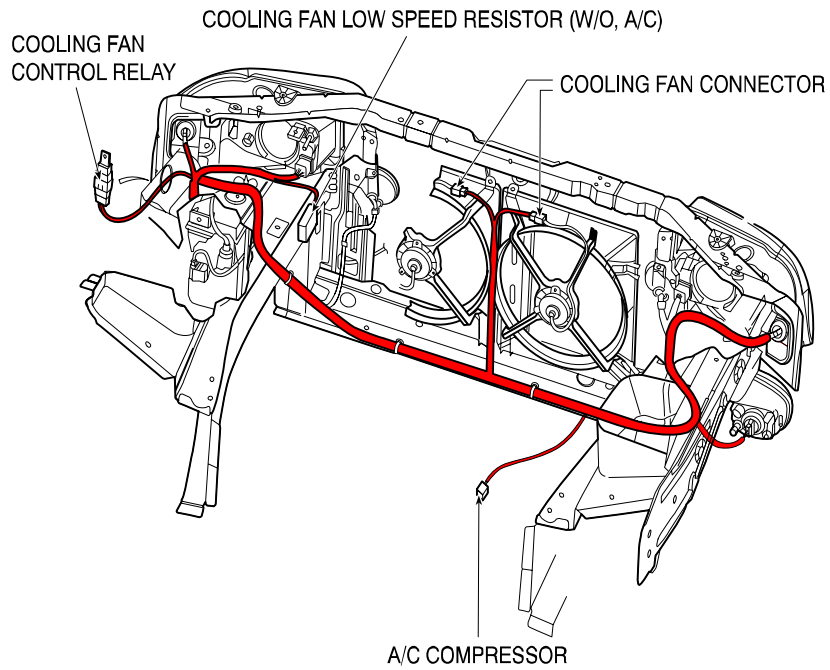
2. WIRING HARNESS & CONNECTOR & GROUND LOCATION

1) W/H FRONT, FRONT BUMPER

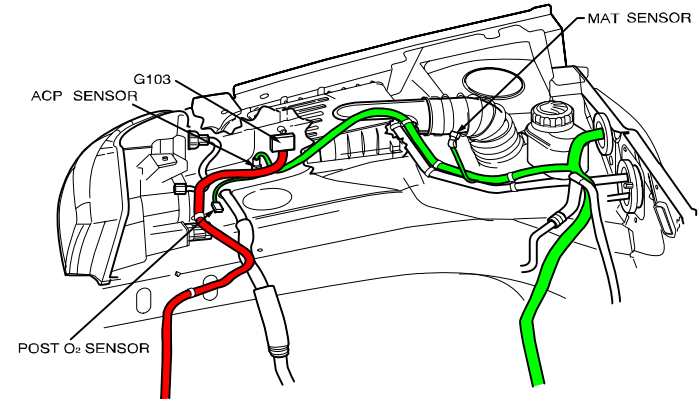
■ W/H BATTERY
■ W/H ENGINE CONTROL



■ W/H FRONT

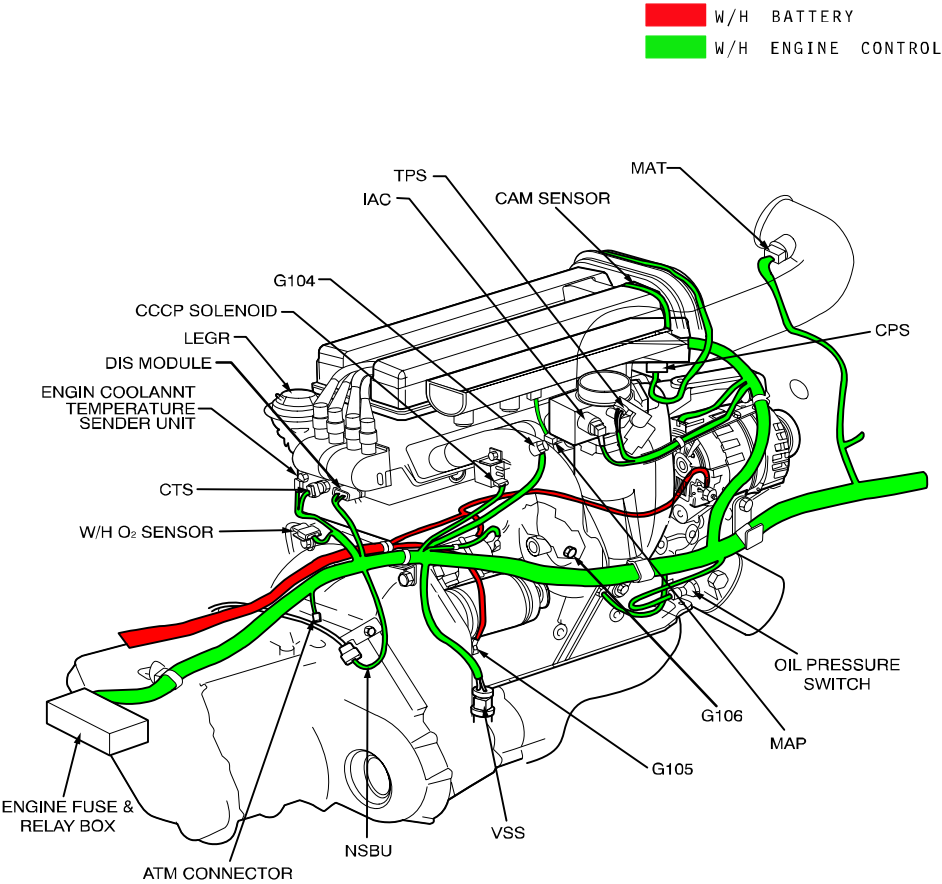


■ W/H FRONT
■ W/H ENGINE CONTROL



2) ENGINE CONTROL, BATTERY

- 2.0 DOHC ENGINE

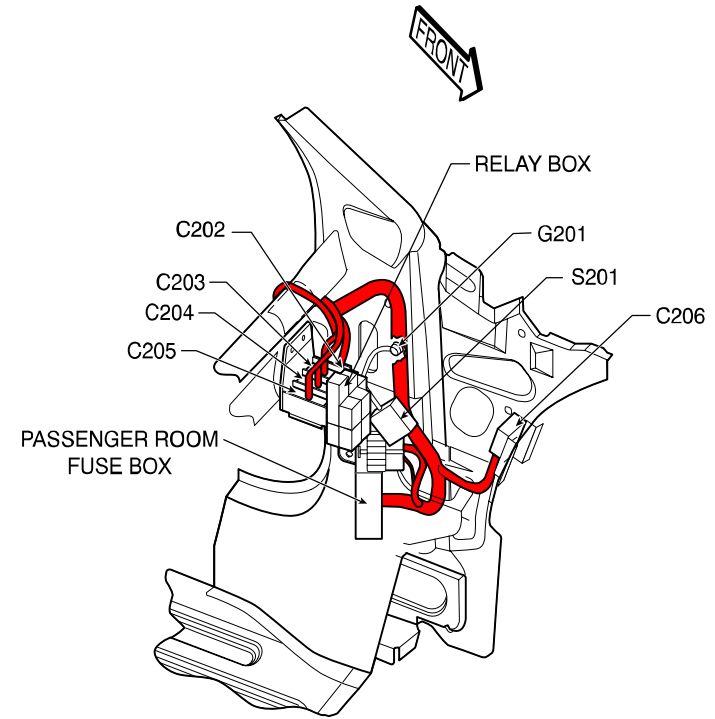
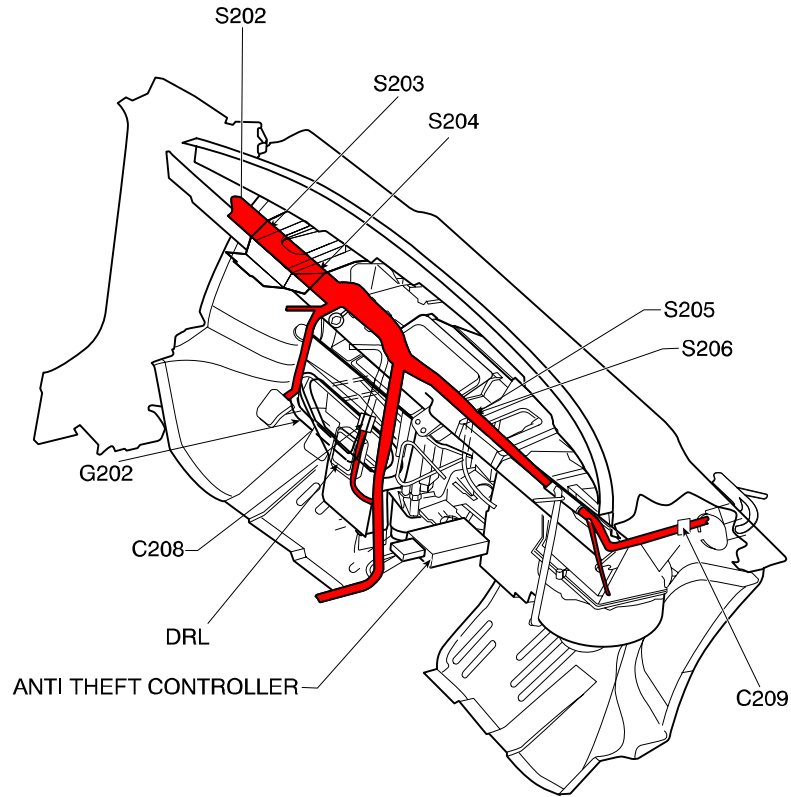


2-6 POSITION OF CONNECTORS AND GROUNDS

3) INSTRUMENT PANEL INSIDE

■ W/H I/P

■ W/H I/P

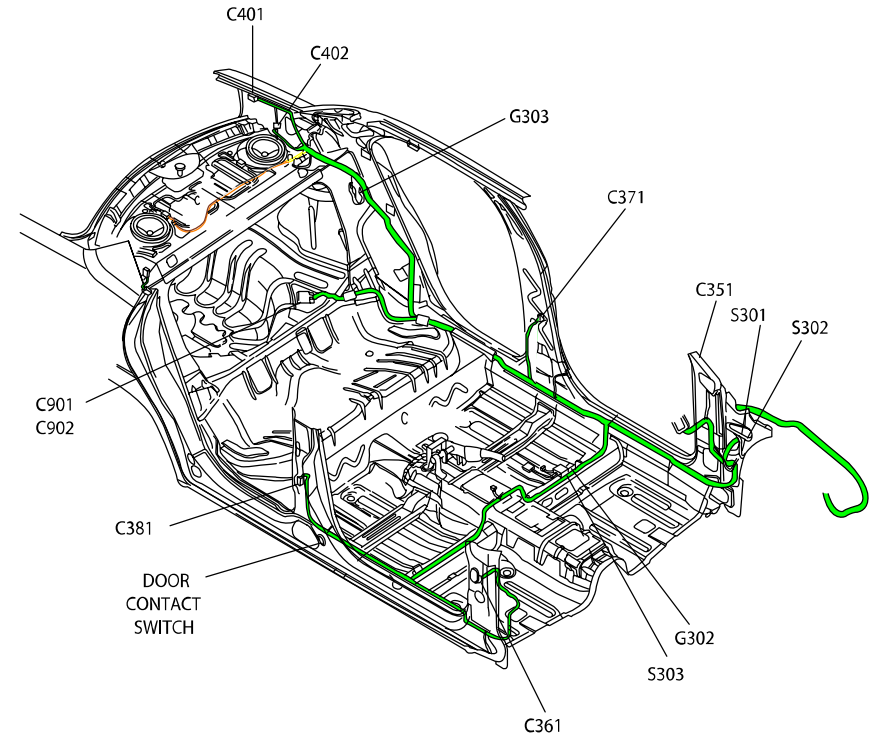
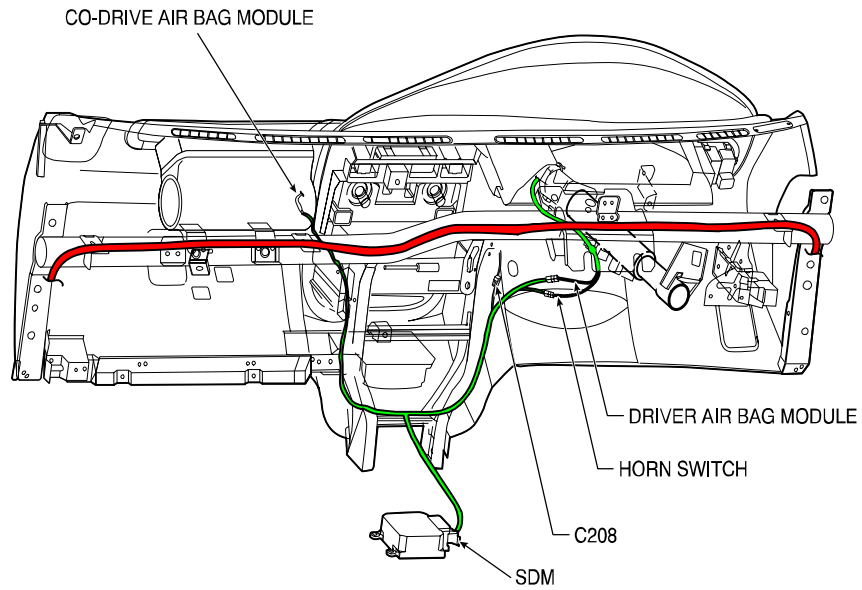


4) AIR BAG, INSTRUMENT PANEL

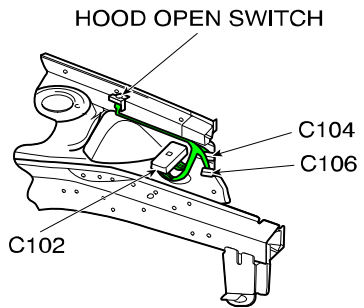
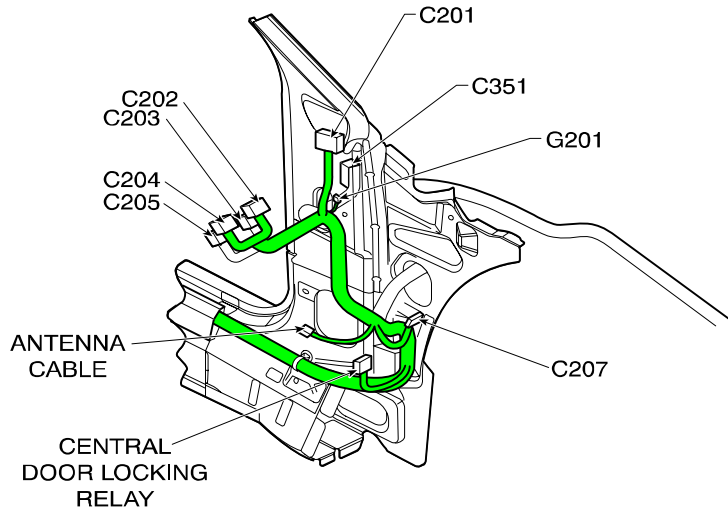
5) BODY

■ W/H AIR BAG
■ W/H I/P

■ W/H BODY



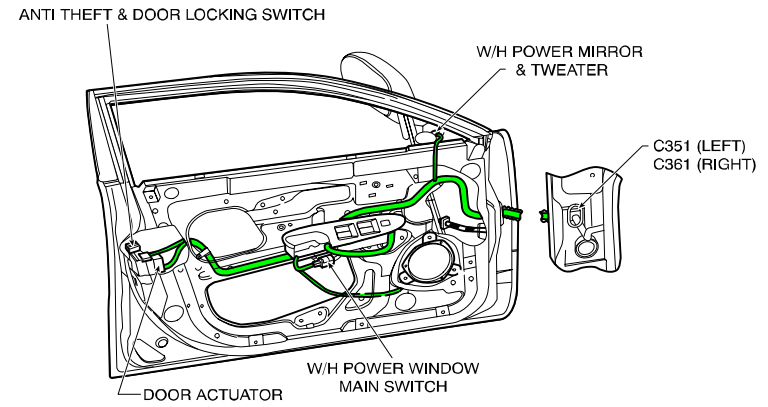
W/H BODY



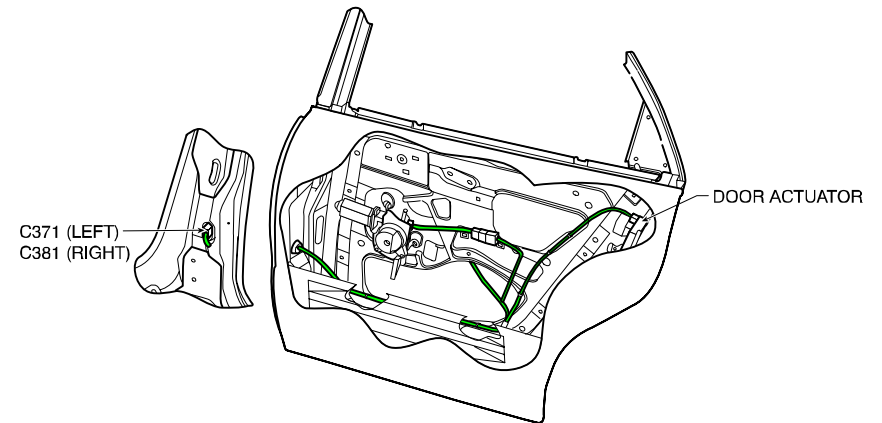
6) W/H DOOR

1. Front Door

W/H DOOR



2. Rear Door



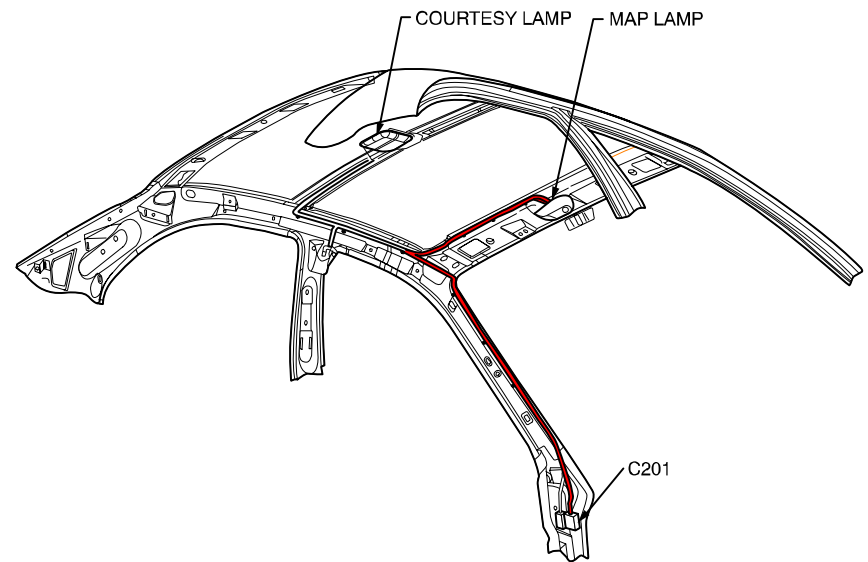
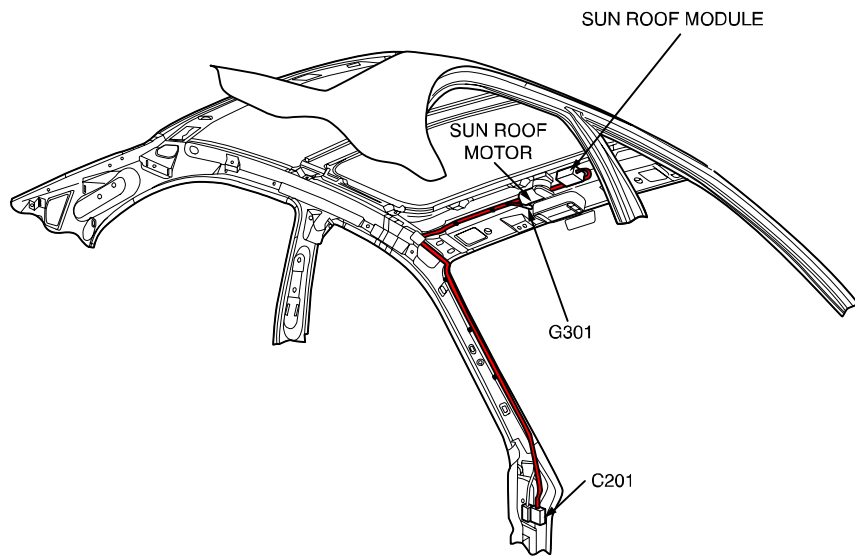
7) ABS WHEEL SPEED SENSOR

2. Without Sun Roof

1. With Sun Roof

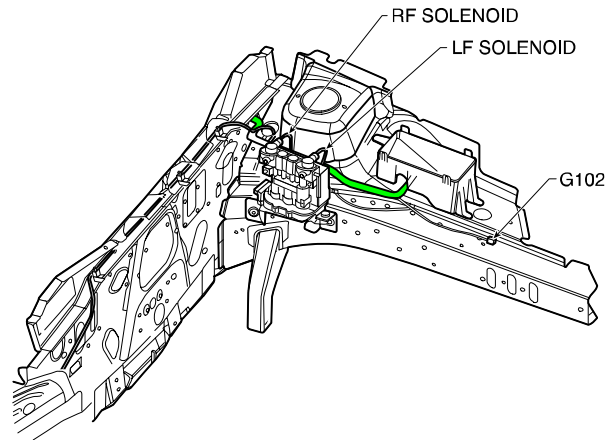
■ W/H ROOF

■ W/H ROOF

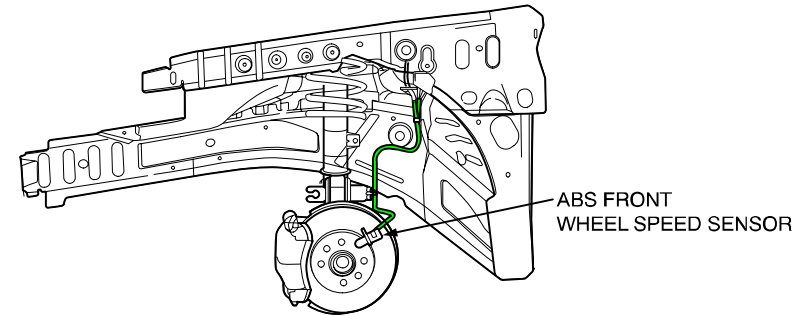


8) ABS MODULE & WHEEL SPEED SENSOR

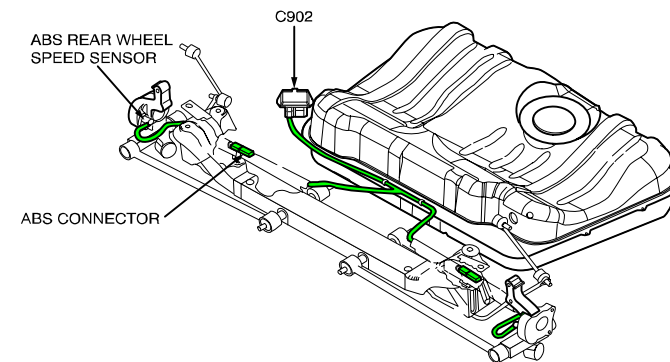
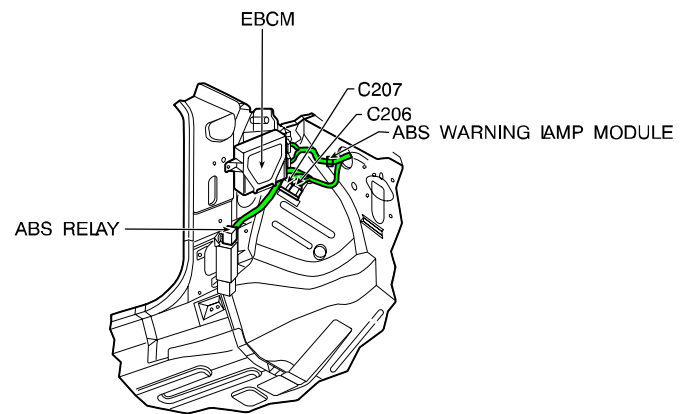
W/H ABS




W/H ABS

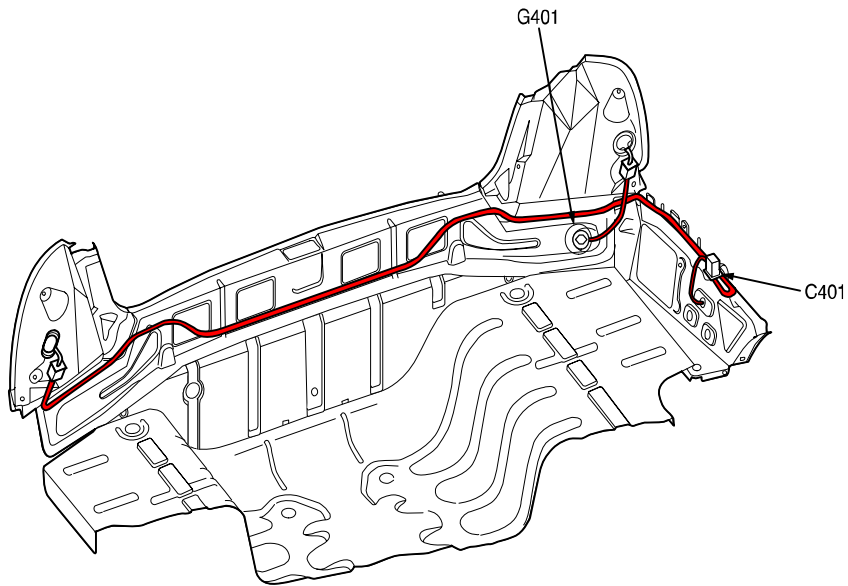


W/H REAR ABS SENSOR



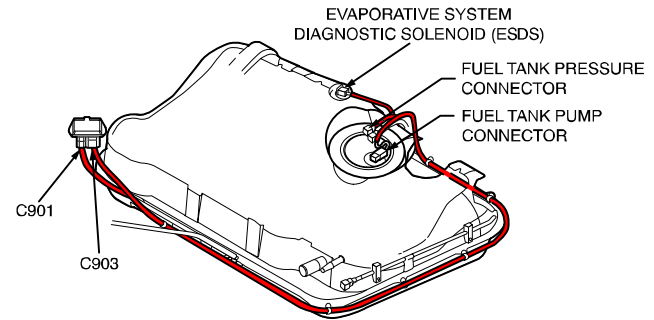
9) REAR

 W/H REAR

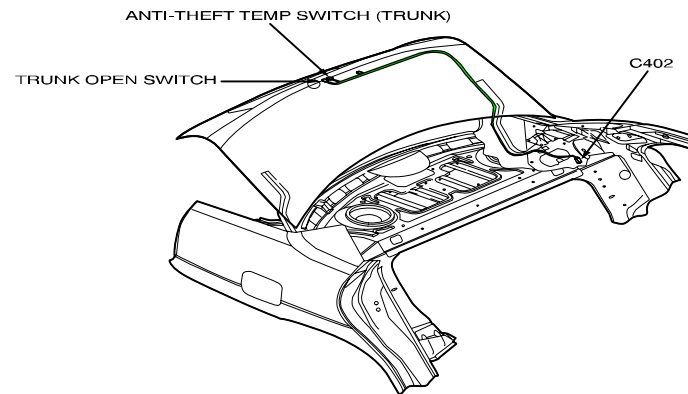


10) FUEL TANK, TRUNK LID

 W/H FUEL PUMP



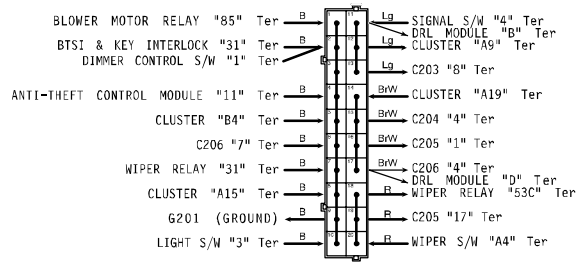
 W/H TRUNK



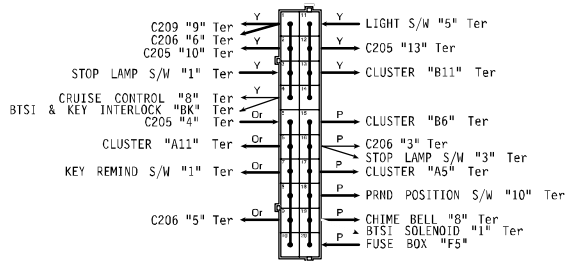
2-12 POSITION OF CONNECTORS AND GROUNDS

11) SPLICE PACK

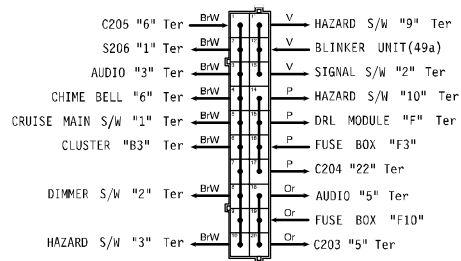
S201 (BROWN)



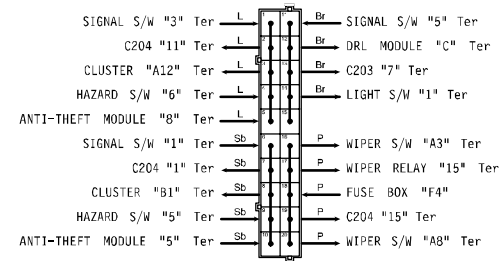
S202 (BLUE)



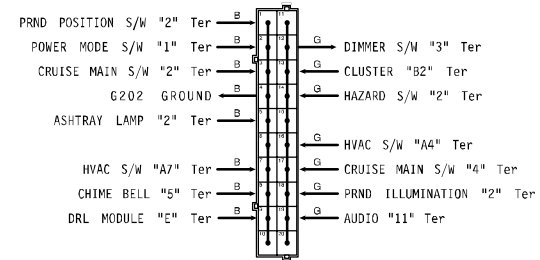
S203 (BROWN)



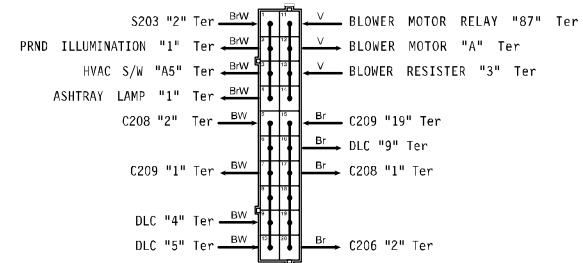
S204 (GRAY)



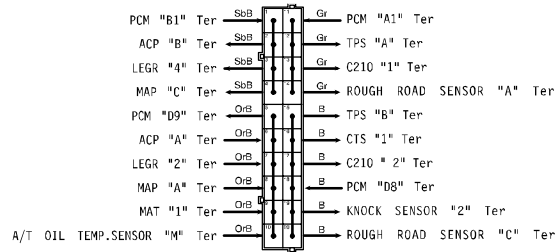
S205 (RED)



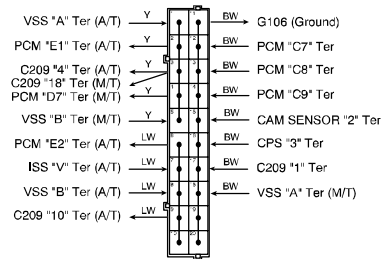
S206 (BLUE)



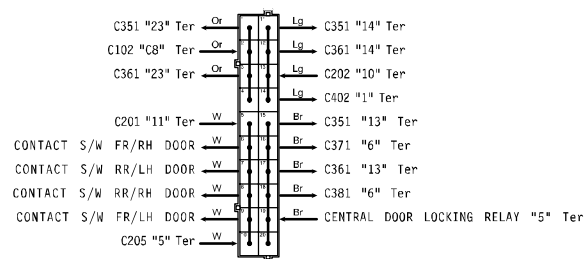
S207 (BLUE)



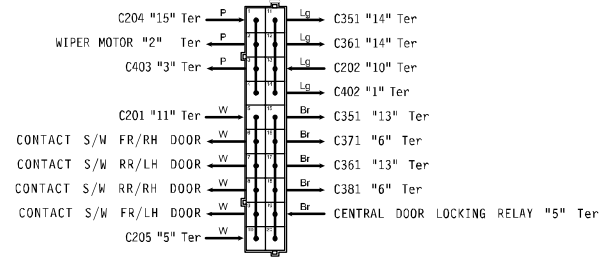
S208 (WHITE)



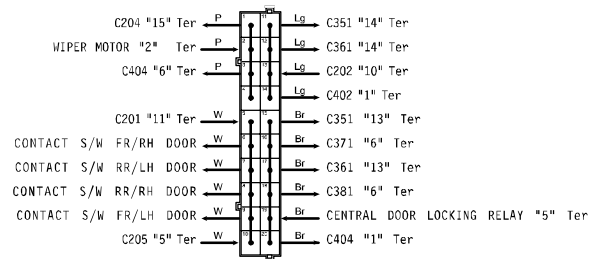
S301 (BLUE), N/B



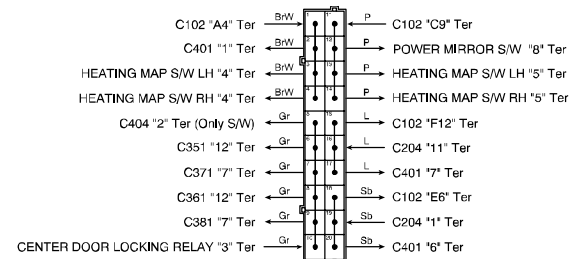
S301 (BLUE), H/B



S301 (BLUE), S/W

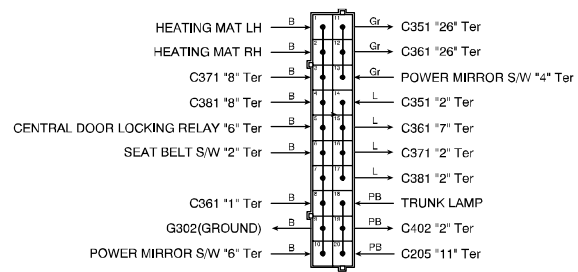


S302 (BLACK)



2-14 POSITION OF CONNECTORS AND GROUNDS

S303 (BLACK) – N/B & H/B



S303 (BLACK) – S/W

